

JA SERIES

The Flexello JA Series swivel jacking casters are available in sizes ranging from 6" to 10" with load capacities from 880 to 5,500 lbs. The 6" and 8" models have a screw jacking system with a 3" lift independent of the swiveling action. The 10" model has a 6" lift and features a 2-way directional lock with travel at 90° to the vertical fixing plate. These heavy-duty casters are designed to facilitate movement and quick, accurate adjustment of working platforms, machines, and other applications.

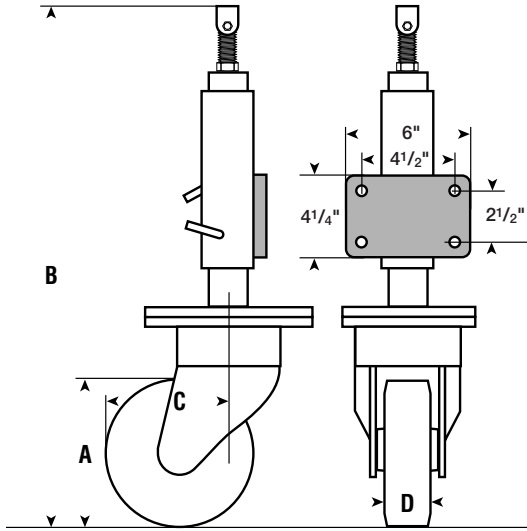


Plate dimensions shown for 6" and 8" diameter models. The bolt-hole pattern for 10" diameter models measures 4" by 4". Consult the factory for additional details on 10" models.

A = Wheel Diameter B = Overall Height C = Swivel Radius D = Tread Width



JA Series with 3" Lift

JA SERIES

A	B	C	D	Load Capacity	Bearing	Wheel	Swivel Part #	Fixed Part #
6"	21-7/8"	5-3/8"	1-3/4"	880	Roller	Rubber on Cast Iron	JA-6RTB	N/A
6"	21-7/8"	5-3/8"	1-3/4"	1600	Roller	Polyurethane on Cast Iron	JA-6SUB	N/A
6"	21-7/8"	5-3/8"	1-3/4"	2240	Roller	Cast Iron	JA-6CIB	N/A
8"	23-7/8"	6-3/8"	2"	1285	Roller	Rubber on Cast Iron	JA-8RTB	N/A
8"	23-7/8"	6-3/8"	2"	2300	Roller	Polyurethane on Cast Iron	JA-8SUB	N/A
8"	23-7/8"	6-3/8"	2"	2400	Roller	Cast Iron	JA-8CIB	N/A
10"	29-3/8"	7-3/4"	3"	5500	Ball Journal	Polyurethane on Cast Iron	JA-210SUTML	N/A

TLCH SERIES

Flexello TLCH Series floor locks provide a ready means of instantly securing a truck or other mobile equipment in a fixed position without raising it. The TLCH Series floor lock bolts to the underside of a truck with its top face exactly 7-7/8" above the ground to ensure optimum performance. Complete freedom of movement is restored by using the foot pedal. TLCH floor locks feature an electrostatic-sprayed black matte finish.

TLCH SERIES

Top Plate Overall	Bolt Pattern	Overall Height (Free Position)	Overall Height (Pad Extended)	Part Number
6" x 4-1/2"	5" x 2-1/2"	6-3/8"	8-1/8"	TLCH



TLCH Series Floor Locks