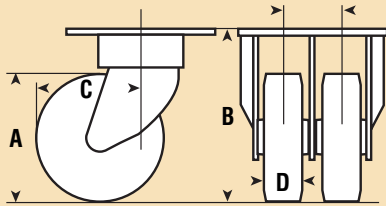


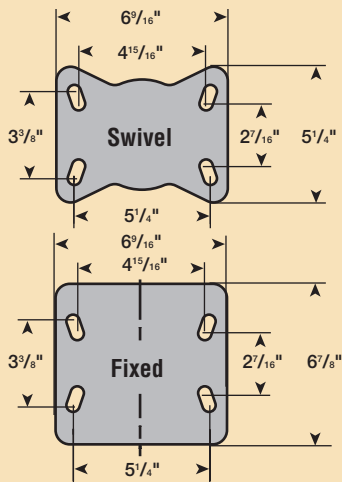
2H SERIES

Kingpinless Fabricated Steel

Revvo H Series casters are available in twin-wheel swivel (2SH) and fixed (2FH) designs that provide a narrower footprint than other wheels in the industry and easier turning due to the differential action of the wheels. Ideal for power towing (to 10 mph), they are available in three wheel sizes (5", 6" & 8") with load capacities ranging from 1,585 to 3,305 lbs.

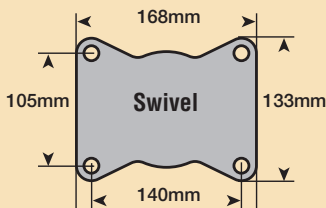


Standard Top Plates

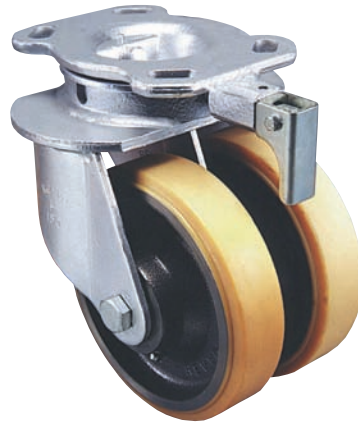


2SH swivel top plates are 9/32" thick and have fixing holes to suit 1/2" diameter bolts.
2FH fixed top plates are 1/4" thick and have fixing holes to suit 1/2" diameter bolts.

Metric T05 Top Plates



T05 top plates have fixing holes to suit 12mm diameter bolts. To order, add suffix **T05** to Swivel or Fixed Part #

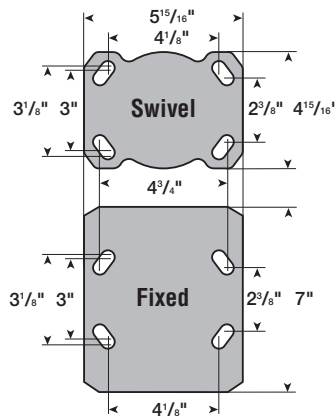


A = Wheel Diameter B = Overall Height C = Swivel Radius D = Tread Width

2H SERIES - Twin Wheel

A	B	C	D	Load Capacity	Bearing	Wheel	Swivel Part #	Fixed Part #
5"	6-31/32"	4-15/16"	1-1/2"	1585	Roller	Revvothane	2SH 125 PT1H	2FH 125 PT1H
5"	6-31/32"	4-15/16"	1-1/2"	1585	Precision Ball	Revvothane	2SH 125 PT2H	2FH 125 PT2H
5"	6-31/32"	4-15/16"	1-3/4"	2250	Precision Ball	Revvothane	2SH 125 45PT2	2FH 125 45PT2
5"	6-31/32"	4-15/16"	1-3/4"	2080	Roller	Cast Iron	2SH 125 C11H	2FH 125 C11H
5"	6-31/32"	4-15/16"	1-3/4"	2080	Precision Ball	Cast Iron	2SH 125 C12H	2FH 125 C12H
6"	7-15/16"	5-1/2"	1-1/2"	2735	Roller	Revvothane	2SH 150 PT1H	2FH 150 PT1H
6"	7-15/16"	5-1/2"	1-1/2"	2735	Precision Ball	Revvothane	2SH 150 PT2H	2FH 150 PT2H
6"	7-15/16"	5-1/2"	1-31/32"	3305	Precision Ball	Revvothane	2SH 150 45PT2	2FH 150 45PT2
6"	7-15/16"	5-1/2"	1-31/32"	3000	Precision Ball	Nylon	2SH 150 NY2H	2FH 150 NY2H
6"	7-15/16"	5-1/2"	1-3/4"	3010	Roller	Cast Iron	2SH 150 C11H	2FH 150 C11H
6"	7-15/16"	5-1/2"	1-3/4"	3010	Precision Ball	Cast Iron	2SH 150 C12H	2FH 150 C12H
8"	9-15/16"	6-11/16"	1-3/4"	3305	Roller	Revvothane	2SH 200 PT1H	2FH 200 PT1H
8"	9-15/16"	6-11/16"	1-3/4"	3305	Precision Ball	Revvothane	2SH 200 PT2H	2FH 200 PT2H
8"	9-15/16"	6-11/16"	1-31/32"	3305	Precision Ball	Nylon	2SH 200 NY2H	2FH 200 NY2H
8"	9-15/16"	6-11/16"	1-3/4"	3305	Roller	Cast Iron	2SH 200 C11H	2FH 200 C11H
8"	9-15/16"	6-11/16"	1-3/4"	3305	Precision Ball	Cast Iron	2SH 200 C12H	2FH 200 C12H

Alternative ISO Top Plates

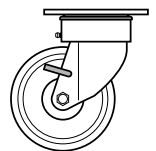


Decreases overall height by 1/8"
Use 1/2" diameter bolts when fitting at 4-3/4" x 2-3/8" hole centers.
Use 3/8" diameter bolts when fitting at 4-1/8" x 3" hole centers.
To order, add suffix **ISO** to Swivel or Fixed Part #

Options & Accessories

Twin Wheel Locks (W)

- For swivel casters only
- A simple hand-operated parking lock
- To order, add suffix **W** to Swivel Part #



Directional Lock (D)

- For swivel casters only
- A four-station plunger lock converts swivel casters into fixed casters for straight line travel
- To order, add suffix **D** to Swivel Part #

